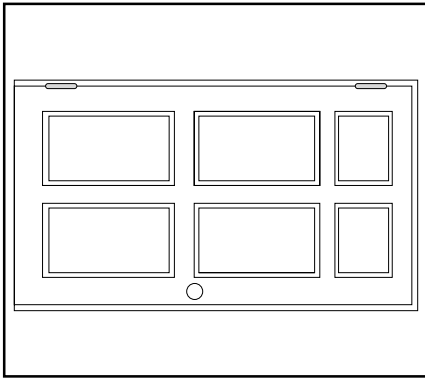


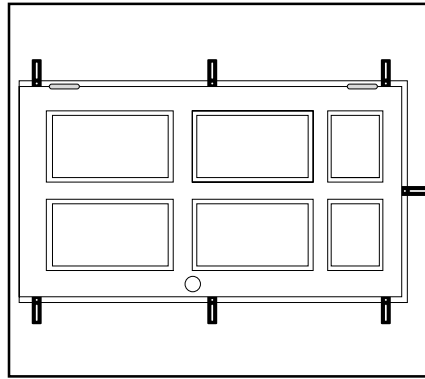
Here's How It Works!

Step by Step Instructions for Interior Prehung Door



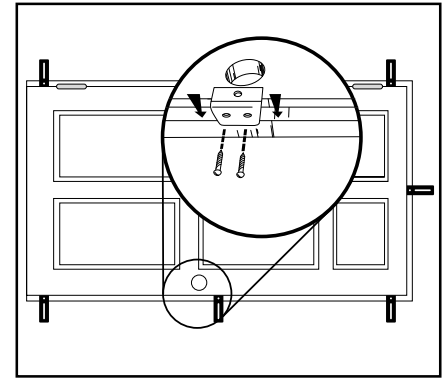
STEP 1. ASSEMBLE DOOR

Assemble door and jamb on the ground hinge side up.



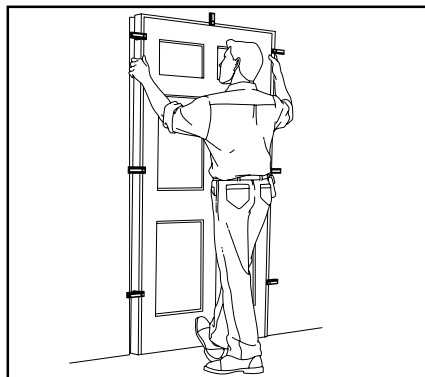
STEP 2. FIT & SECURE CLIPS

Fit all seven (A) clips into position as shown and secure them to jamb with 1/2" screws provided. NOTE: clip positions are only approximate



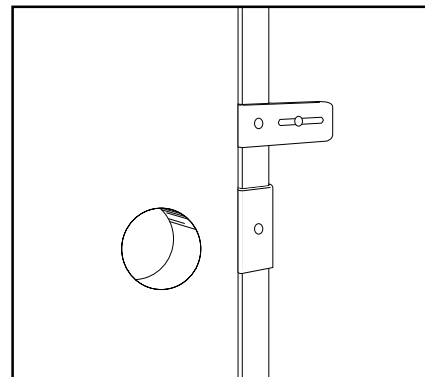
STEP 3. FIT & SECURE B CLIP

Open door and secure (B) clip into lockset hole with two 1/2" screws provided. Next, close door and secure clip to jamb with 1/2" screw provided.



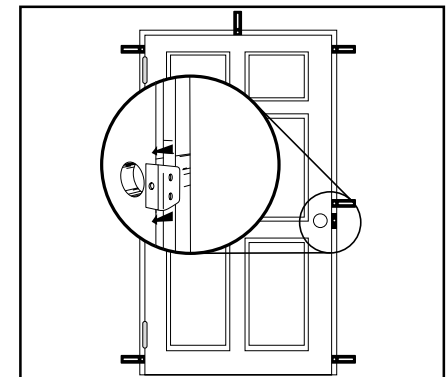
STEP 4. INSTALL DOOR

Install door square and level into rough opening and secure to wall with 1 1/2" screws provided.



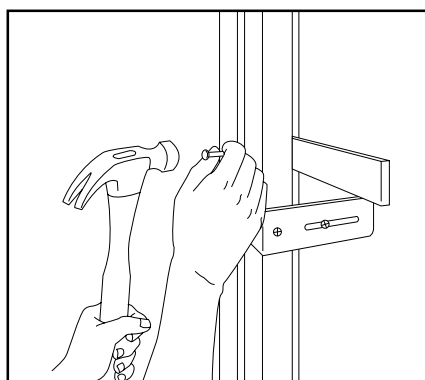
STEP 5. CHECK INSTALLATION

Check to see if the seven (A) clips are snug between the door and the jamb. If not loosen screw and push jamb over till snug and retighten screw.



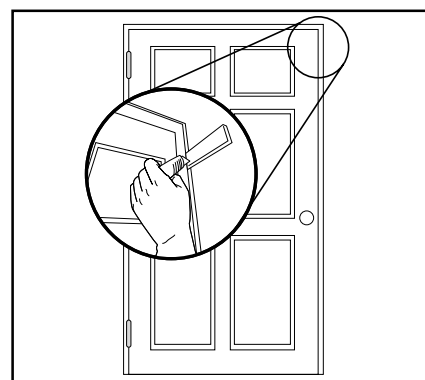
STEP 6. REMOVE CLIP

Remove (B) clip and make sure door is opening and closing properly.



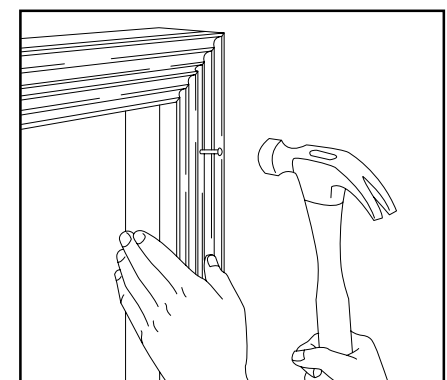
STEP 7. INSTALL SHIMS

Install shims beside all seven (A) clips and secure through jamb and shims with 2 1/2" finishing nails.



STEP 8. REMOVE CLIPS

Remove the remaining seven (A) clips and cut excess shims flush with wall.



STEP 9. FINISH DOOR

Finish door off with your choice of trim and molding.